

# Rinse Pimp



## Step 1

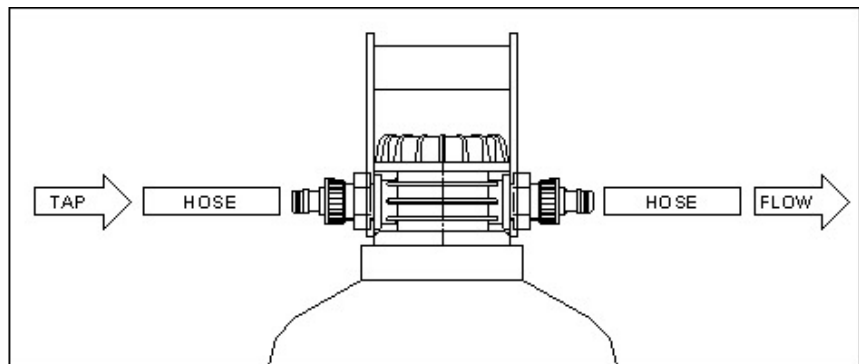
Wash your vehicle using a sponge and warm water with car shampoo added. Take care to be thorough removing all the dirt.

## Step 2

Rinse the vehicle using tap water to remove all the suds. Do not allow the vehicle to dry before the next step.



## Rinse Pimp 20 connection diagram



## Step 3

Connect the Rinse Pimp 20 as shown in the diagram above. Keep the length of the hose from the Rinse Pimp 20 to the vehicle as short as possible to avoid wastage. Rinse the vehicle for a second time using the filtered water with a spray gun set to a fine mist.

## Step 4.

Leave the vehicle to dry naturally to reveal the effortless spot-free shine.

